



# RHGC

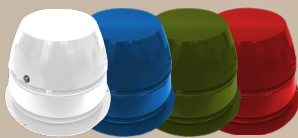
– Concentric mechanical draught  
system for gas fireplaces

**exodraft**



## CONCENTRIC FAN TYPE RHGC

Available in all RAL colours



Maintenance-free

Easy to install



2 YEAR WARRANTY



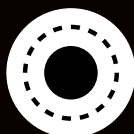
### FREEDOM OF DESIGN

Vertical and horizontal flue runs with multiple elbows. Max. flue length 60 metres. Up to 15 pcs 90° elbows.



### BETTER COMBUSTION

Optimal draught to fireplace in all weather conditions. Max. output of fireplace is 13 kW.



### SMALLER FLUE DIAMETER

Inner/outer flue diameter reduced from 130/200 to 80/125 mm, making the flue easier to hide and saving you money.



### INCREASED SAFETY

Constant monitoring of flow and automatic shutdown. Approved according to Gas Appliance Directive.



### ATTRACTIVE DESIGN

RHGC fan has a compact form factor and a sleek design. Pick your colour.

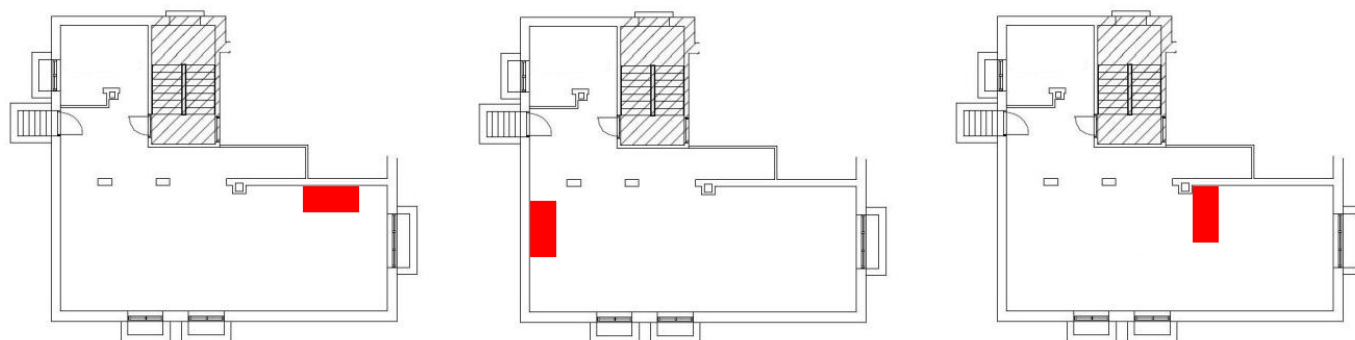
**exodraft**

# MORE OPTIONS FOR FIREPLACE PLACEMENT

With the availability of both vertical and horizontal flue runs with multiple bends, the placement of your fireplace is no longer limited by the location of your chimney.

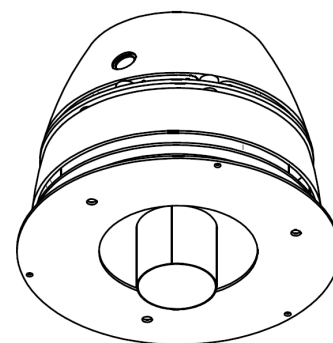
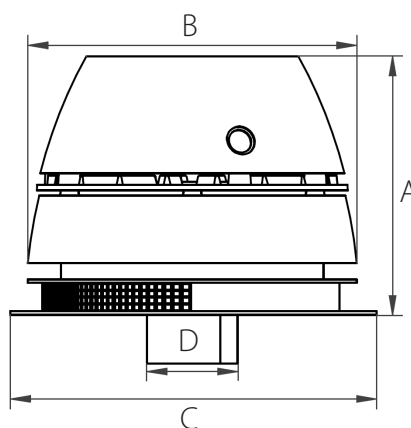


■ Fireplace

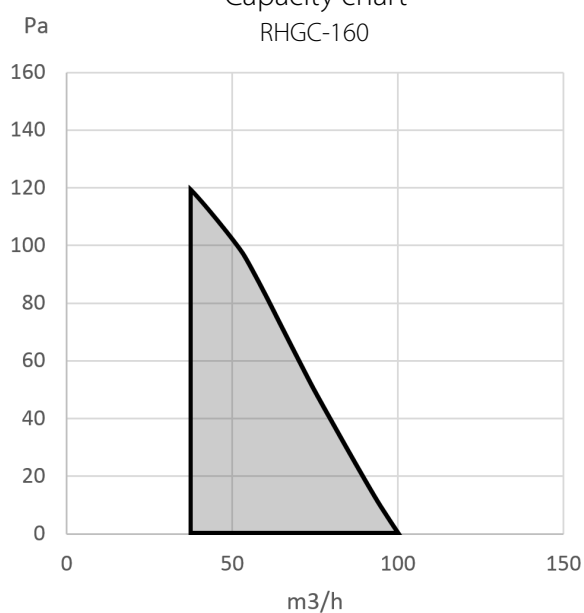


## DIMENSIONS

A [mm]	227.5
B [mm]	290
C [mm]	323
D [mm]	80
Weight [kg]	10



Capacity chart  
RHGC-160



The capacity chart is measured at a flue gas temperature of 20 °C. The fan capacity changes with temperature.

RPM	1400
Power supply [V]	1x230
Power consumption [kW]	0.09 *
Amp	0.4
Max. output of fireplace [kW]	13
Max. / min. flue length [m]	60 / 5
Inner / outer flue diameter [mm]	80 / 125
Max. number of flue elbows	15
Mounting position	Wall or roof
Fan control	EFC21

\* Effect at the motor shaft at ambient temperature 20 °C

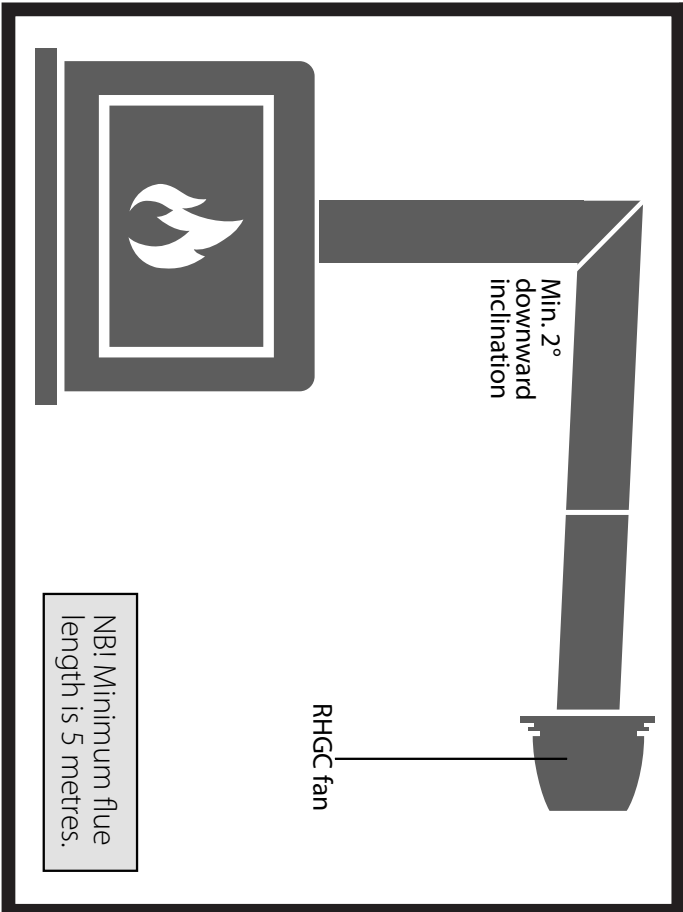


EFC21 control

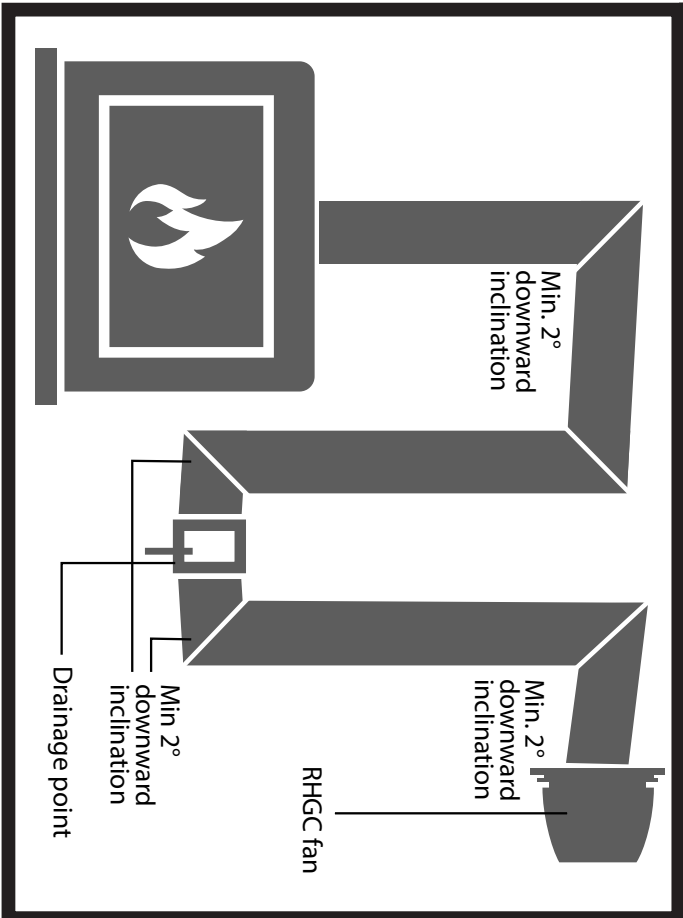


# FLUE CONSTRUCTION GUIDELINES

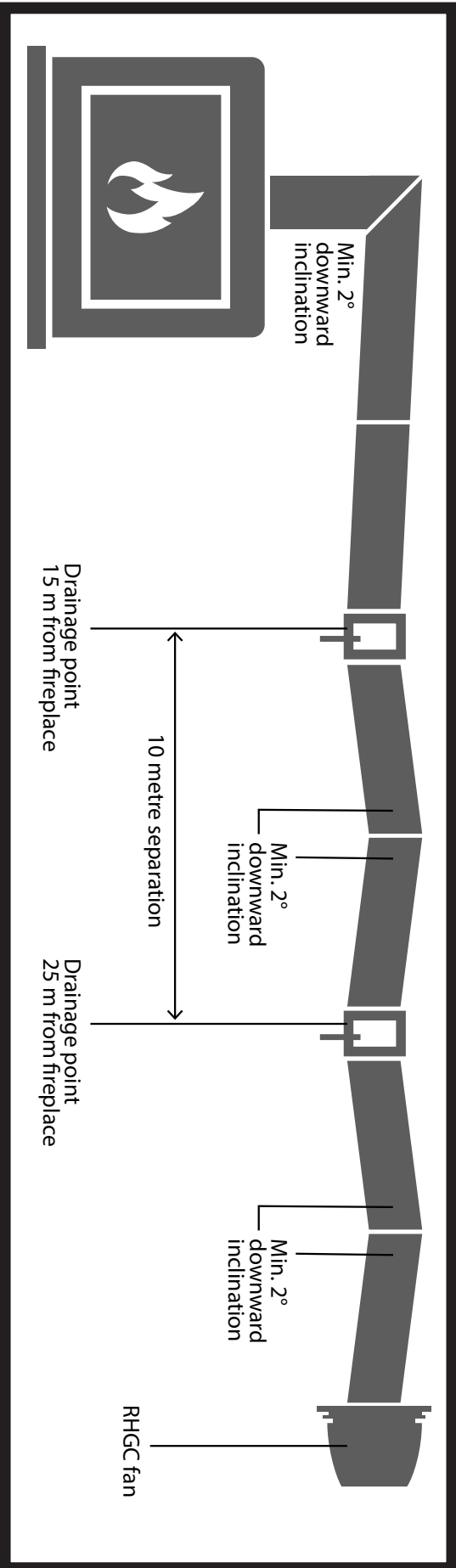
Horizontal flue sections should have a 2° (minimum) downward inclination towards the end of the flue or towards a drainage point.



If the flue runs down and up, drainage point should be positioned at the lowest point.



If the total flue length exceeds 15 metres, drainage points should be placed every 10 metre.



## PRO TIP:

If viewing this page as a PDF in Acrobat Reader, use the View > Rotate View menu to rotate the view for improved readability.

