

Wood Burning Stoves from Specflue

Add a new centrepiece to your home with a wood burning stove. Whether you choose the Tiverton, Stirling, or Framlingham, we guarantee you'll love your home's new addition, as it crackles and glows, filling your room with warmth.

Extra-large windows give the perfect view of your fire burning, as it throws out heat to warm even the coldest of rooms, while the stove's stylish design ensures it'll be a welcome addition to any space.

And our range of stoves won't just keep you warm – they'll also drive down your ever-rising heating bills, all while being Defra Approved.

Why not contact the showroom and order your wood burning stove today?



Discover more about our wood burning stoves today

Get in touch today and speak with a friendly member of the team.

Castle Stoves

Quality products, exceptional service.

Stoves combining style & substance





Tiverton

60TIV



Stirling

60STIR



Framlingham

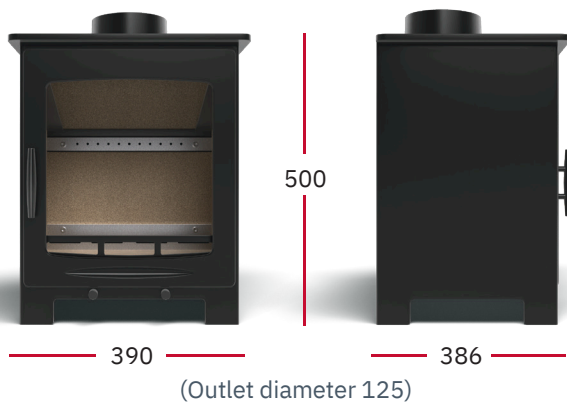
60FRAM

Our smallest wood burning stove still provides exceptional heat while retaining the beautiful style and large viewing window our customers love. It's also our most efficient model – perfect for anyone trying to drive down heating costs.

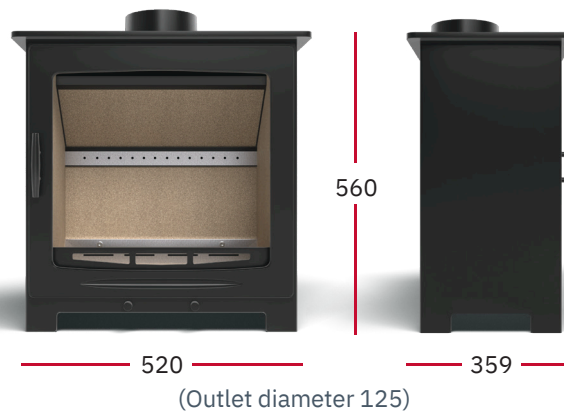
A large wood burner with an oversized window, the Stirling offers a step up from the Tiverton without sacrificing any of the looks. It's perfect for most room sizes and exceptionally popular with our customers.

Our most powerful wood burner will warm even the largest spaces while still offering the looks our stoves are known for. It's the perfect choice for anyone looking to combine style with substance.

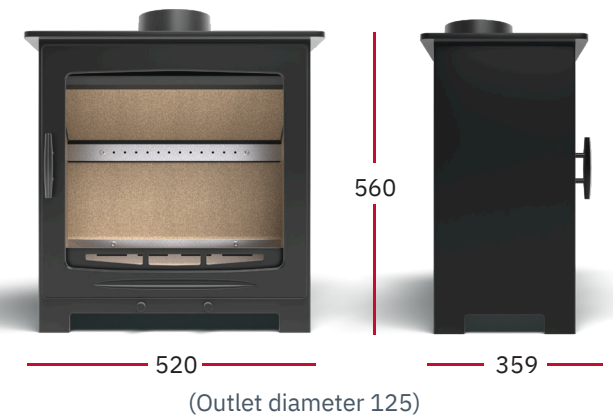
Dimensions in mm



Dimensions in mm



Dimensions in mm



Fuel Type	Wood
Output (kW)	5.0 kW
Efficiency (%)	84.4
Warranty	12 Month Warranty (T&Cs apply*)

Fuel Type	Wood
Output (kW)	5.0 kW
Efficiency (%)	83.9
Warranty	12 Month Warranty (T&Cs apply*)

Fuel Type	Wood
Output (kW)	7.8 kW
Efficiency (%)	79.2
Warranty	12 Month Warranty (T&Cs apply*)

*The Tiverton, Stirling and Framlingham stoves are automatically covered by a 12-month warranty for safety, performance and construction. This can be extended by a further 4-year conditional warranty providing that the stove has been installed by a qualified competent approved installer or suitably signed off by local building control covering the installation of the stove and, by registering your product within 1 month of the purchase of the stove.